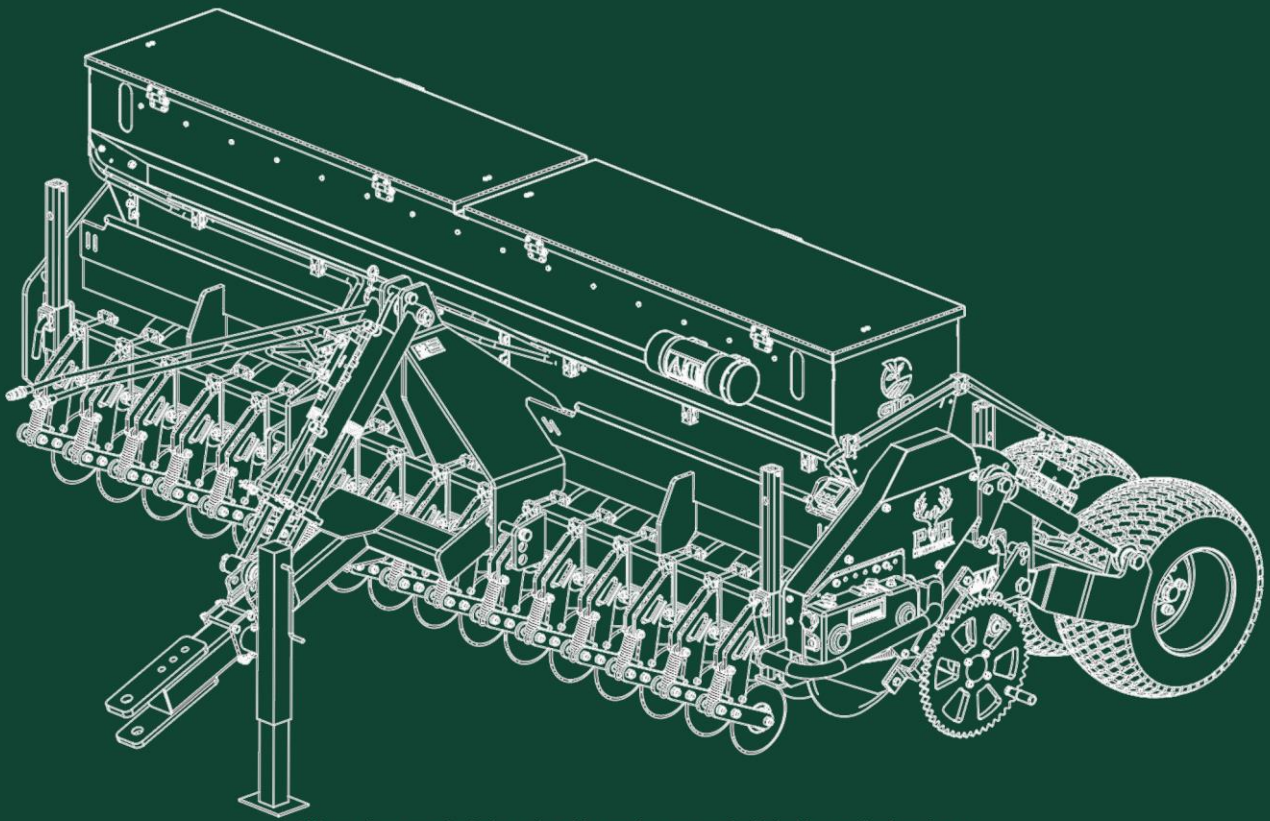


# PH OUTDOORS™



## G10 No-Till Drill Original Parts Manual

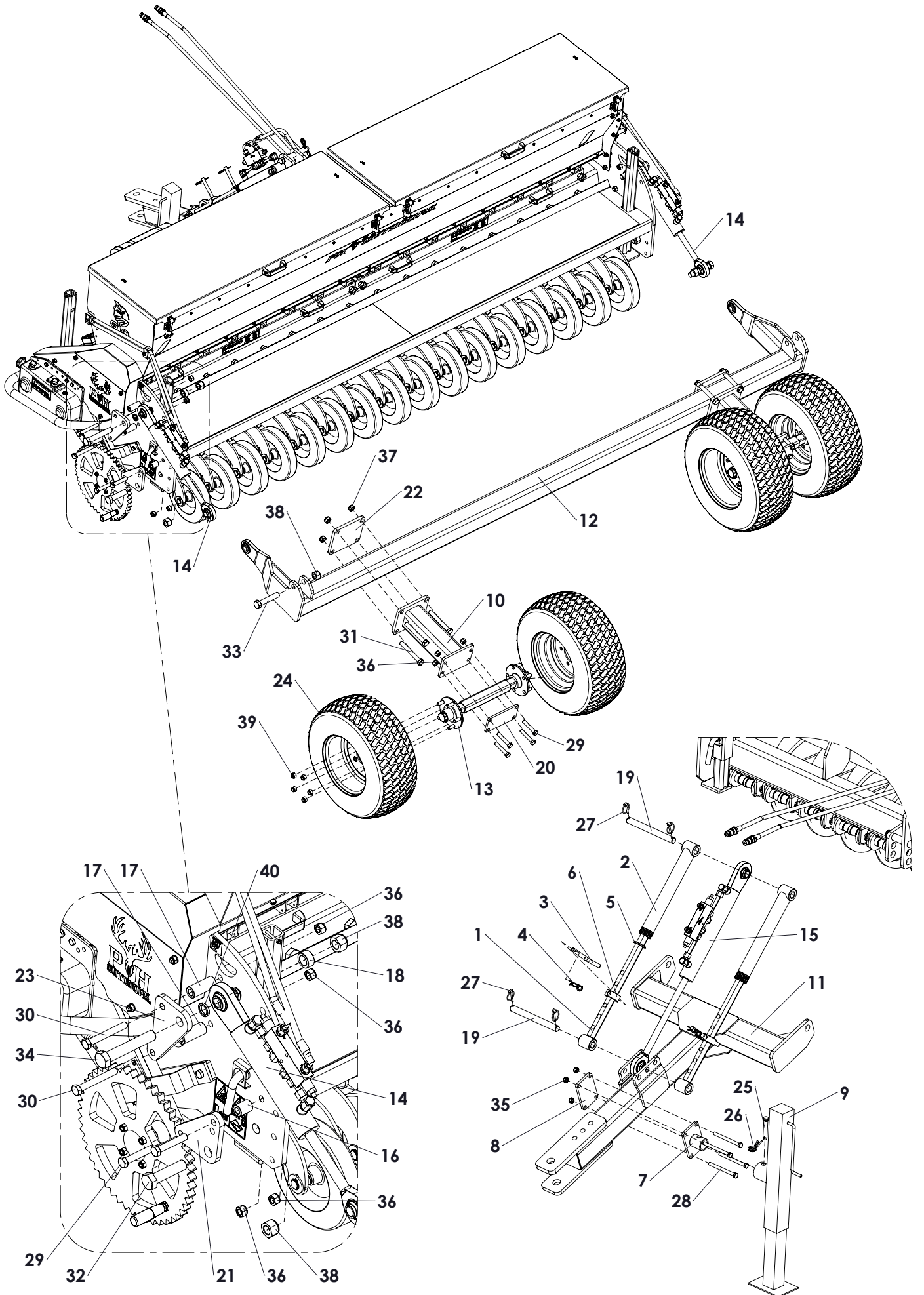


\*Illustrations may include optional items that are not included in standard package

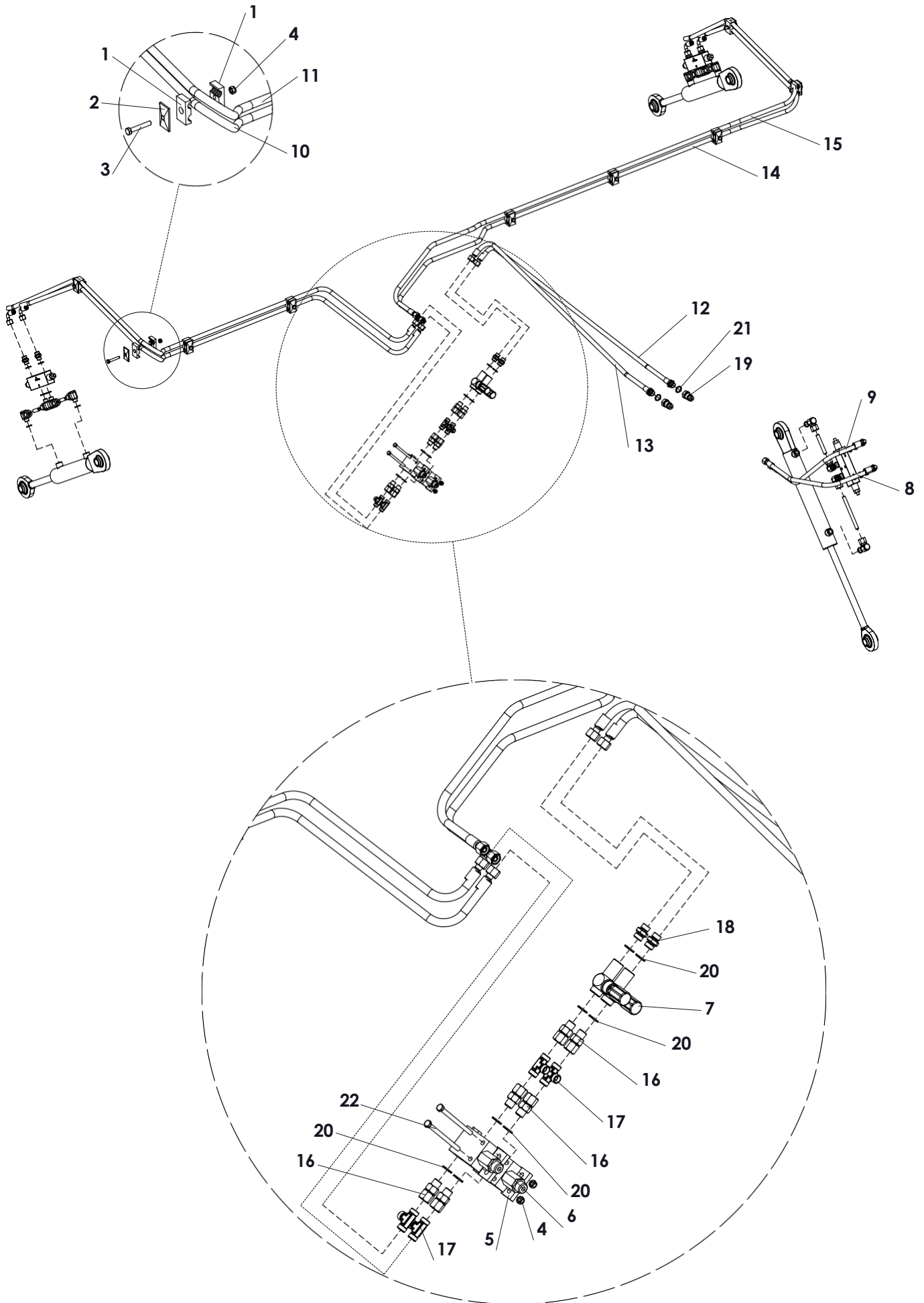
**PH Outdoors, LLC**

P.O. Box 480  
Eureka, MO 63025

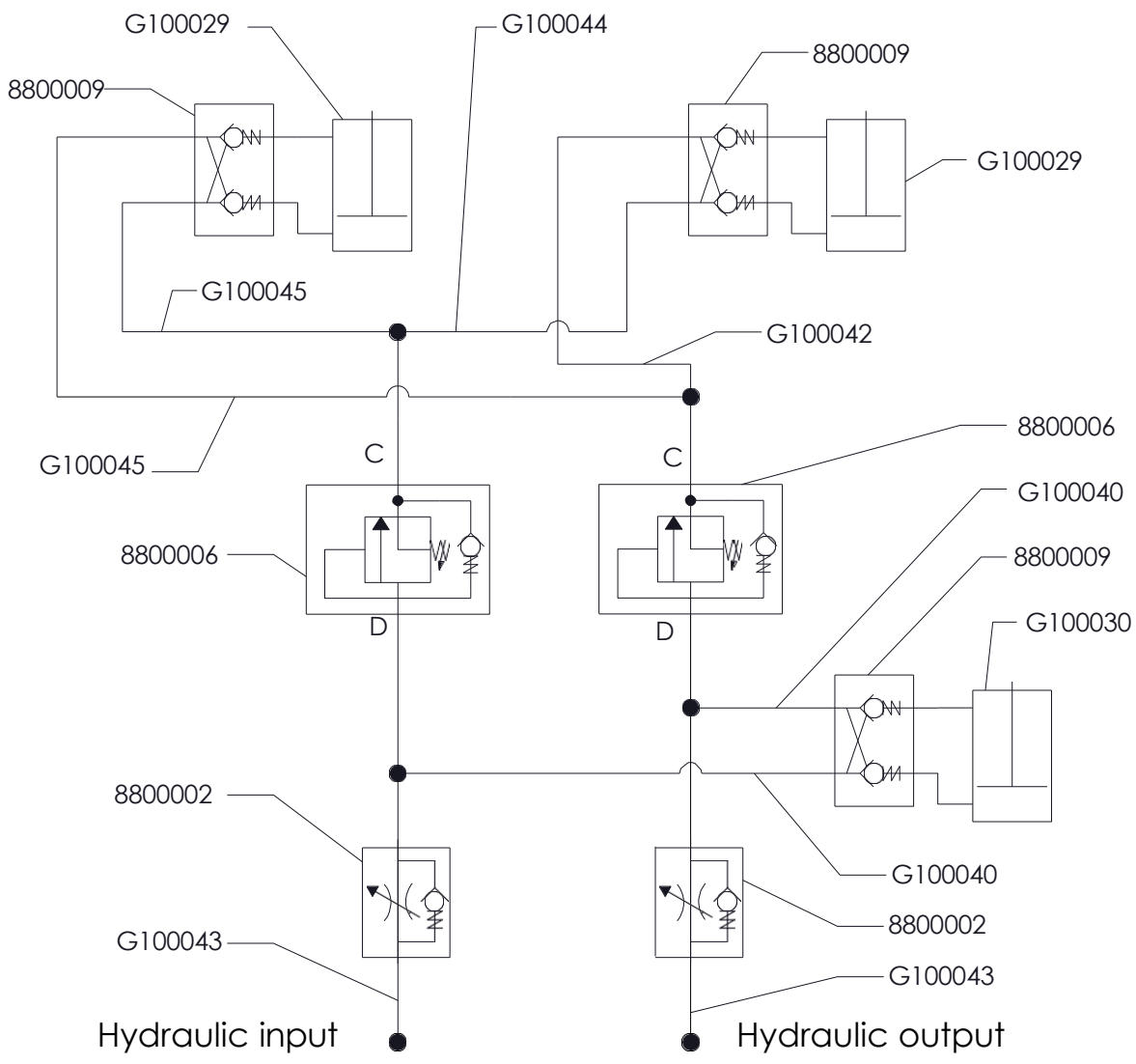
**Wheel Kit  
Rev. 1**

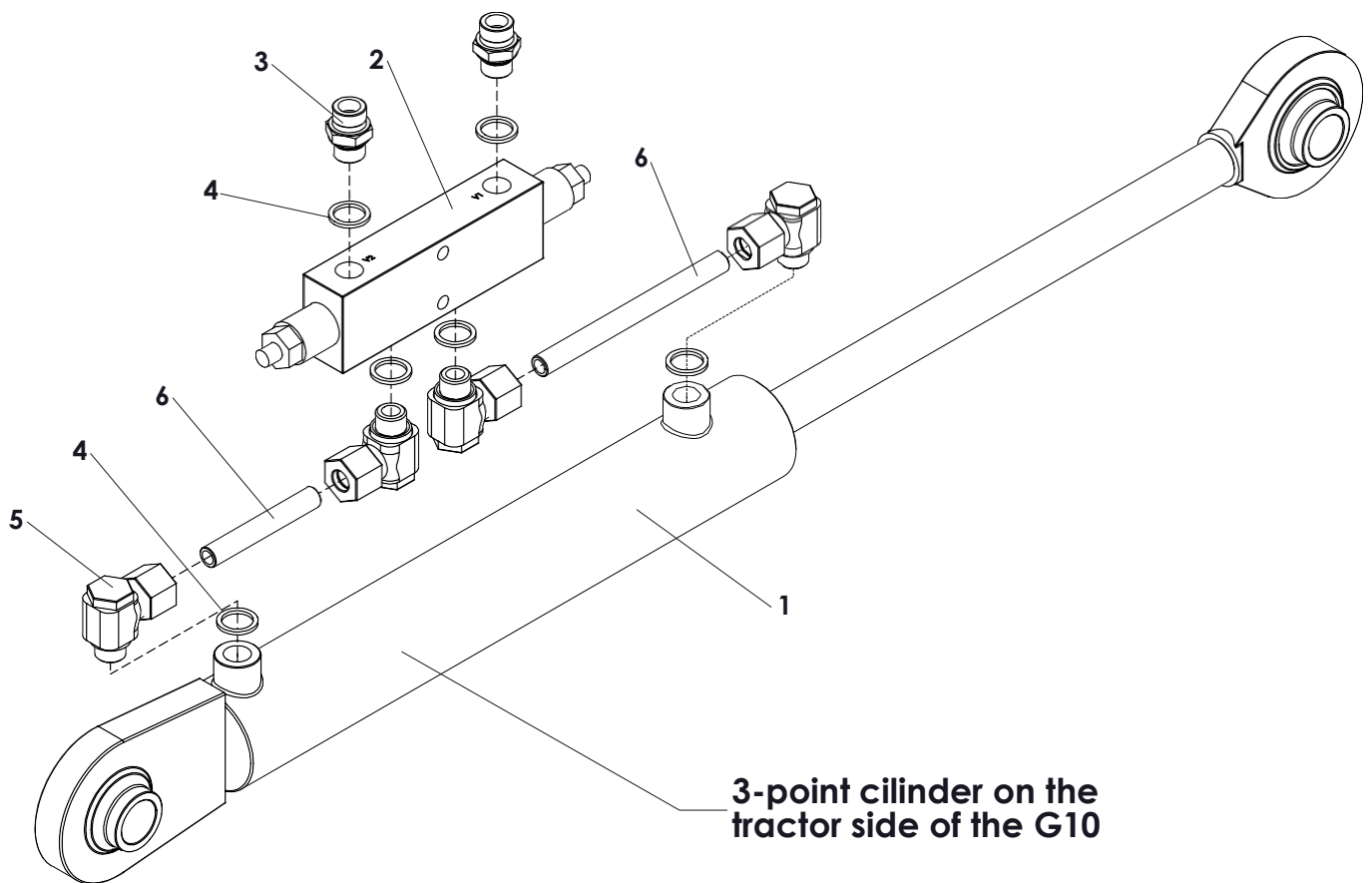


Pos.	Part number	Description	Qty.
1	G100017	Hex stop inner	2
2	G100018	Hex stop outer	2
3	G100019	Lock pin	2
4	3830300	R-Clip Round 3, DIN 11024	2
5	G100020	Distance bush Ø51/Ø38.4 L=5	12
6	G100021	Bush	2
7	G100022	Mounting hub	1
8	G100023	Mounting Plate	1
9	G100024	Spindle	1
10	G100025	Axle spacer	2
11	G100026	Drawbar G10	1
12	G100027	Bogy frame G10	1
13	G100028	Wheel axle 5xM16 50x50 L=450	2
14	G100029	Cylinder assembly (Pag 14b)	2
15	G100030	Cylinder assembly (Pag 14a)	1
16	G100031	Distance bush Ø30/Ø16.5 L=38	4
17	G100032	Distance bush Ø30/Ø16.5 L=71	4
18	G100033	Distance bush Ø40/Ø26 L=20	2
19	G100034	Link pin	2
20	G100035	Clamp strip	2
21	G100036	Mounting plate	2
22	G100037	Mounting plate	2
23	G100038	Cylinder contra plate	2
24	4326120	Wheel 26x12 inch complete	4
25	3821610	Top link pin Cat. 0 - 16.1 x 100	1
26	3830500	R-clip Round	1
27	3830601	Linch pin Ø6	4
28	1112140	Bolt M12 x 140	4
29	1116090	Bolt M16 x 90	12
30	1116120	Bolt M16 x 120	4
31	1120150	Bolt M20 x 150	8
32	1610100	Hex Bolt 1"-8x4.0" UNC	2
33	1610125	Hex Bolt 1"-8x5" UNC	2
34	1610150	Hex Bolt 1"-8x6" UNC	2
35	1712175	Self-Lock Nut M12	4
36	1716200	Self-Lock Nut M16	20
37	1720250	Self-Lock Nut M20	8
38	1910001	Self-Lock Nut 1 inch UNC	6
39	2016001	Wheel Nut M16	20
40	6025006	Distance washer Ø35/Ø25.5 L=6	4



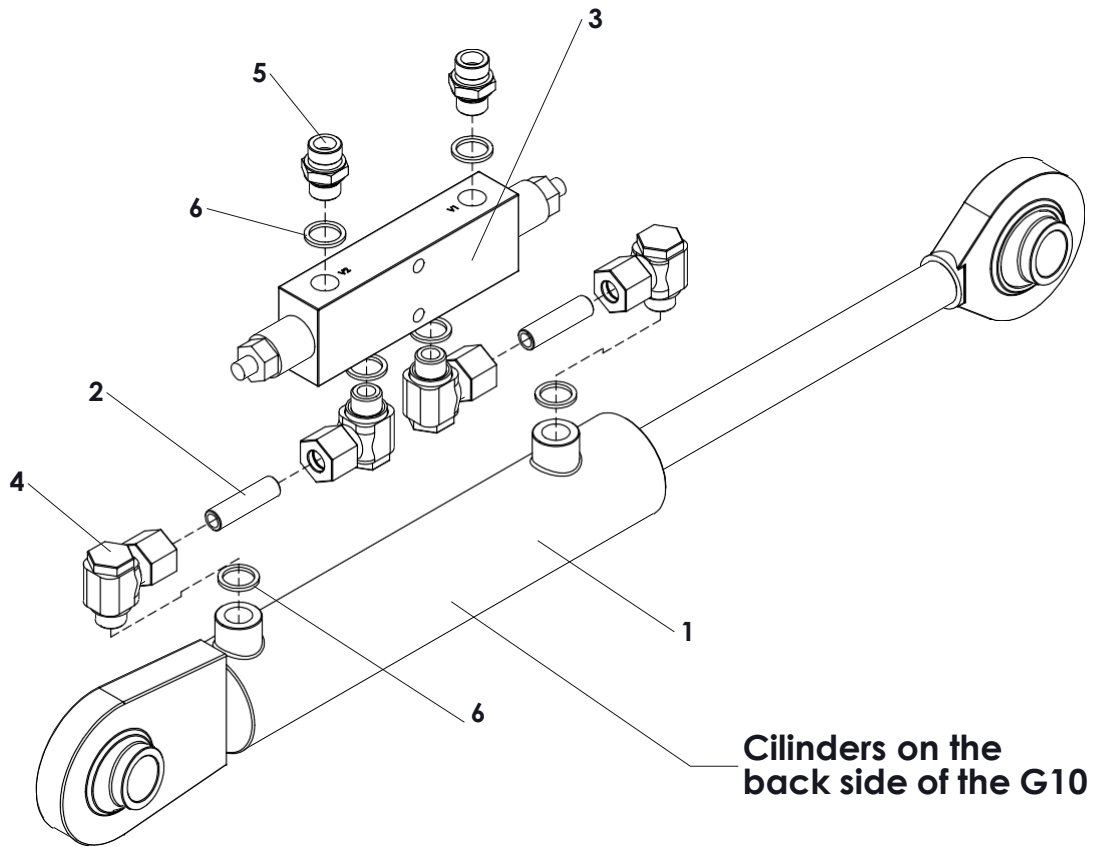
Pos.	Part number	Description	Qty.
1	8015150	Hose clamp double 15mm	18
2	8015151	Cover plate hose clamp 2x15 - 2x18	9
3	1108050	Bolt M8 x 50 - ISO 4014	9
4	1708125	Self-Lock Nut M8 - ISO 10511	11
5	G100039	Strip	2
6	8800006	Sequence valve VDSDB05001	2
7	8800002	Flow reducer 3/8" FPU05001	2
8	G100040	Hose NSK10-3/8" TL=830 PGLO101890+PGLO1018	1
9	G100040	Hose NSK10-3/8" TL=830 PGLO101890+PGLO1018	1
10	G100041	Hose NSK10-3/8" TL=2450 PGLO101890+PGLO1018	1
11	G100042	Hose NSK10-3/8" TL=2600 PGLO101890+PGLO1018	1
12	G100043	Hose NSK10-3/8" TL=2500 PGLO1018+PN108	1
13	G100043	Hose NSK10-3/8" TL=2500 PGLO1018+PN108	1
14	G100044	Hose NSK10-3/8" TL=3350 PGLO101890+PGLO1018	1
15	G100045	Hose NSK10-3/8" TL=3500 PGLO101890+PGLO1018	1
16	8638120	Joint Connector Straight 3/8" x Ø12 Prem.	6
17	8112121	T-Connector 12x12x12	4
18	8238120	Nipple BSP 3_8" x pipe 12 (M18)	2
19	8800001	Quick connector male 1/2"	2
20	2233800	Copper washer 3_8	8
21	2231200	Copper washer 1_2	2
22	1108110	Bolt M8 x 110 - ISO 4014	2





Pos.	Part number	Description	Qty.
1	8800007	Hydraulic cylinder 25-50, Stroke=300	1
2	8800009	Double equalising valve 3/8"	1
3	8238120	Nipple BSP 3_8" x pipe 12 (M18)	2
4	2233800	Copper washer 3_8	6
5	8438120	L-connector G3/8-12mm	4
6	G100054	Tube 12x108	2
	G100030	Hydraulic cylinder complete include pos. 1 till 7	







Pos.	Part number	Description	Qty.
1	8800008	Hydraulic cylinder 25-50 Stroke=200	1
2	G100053	Tube 12 x 60	2
3	8800009	Double equalising valve 3/8"	1
4	8438120	L-connector G3/8-12mm	4
5	8238120	Nipple BSP 3_8" x pipe 12 (M18)	2
6	2233800	Copper washer 3_8	6
	G100029	Hydraulic cylinder complete include pos. 1 till 6	